



Chuck extender for portable drill

Hand drills are often limited in use by the bulk of the drill body .

This 300mm chuck extender makes it possible to do many more things with a hand held drill by giving access to areas that would normally be unreachable.

The sliding aluminium handle on the chuck extender lets you apply greater lateral force on attachments with all the stress being absorbed by the extender, not the drill.

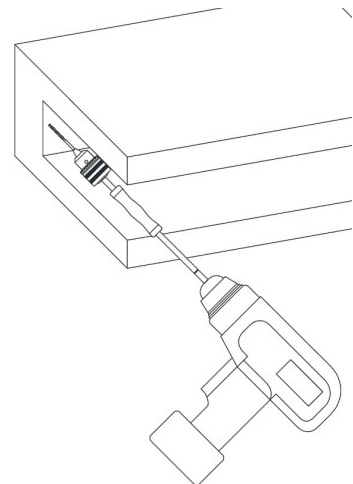
The Chuck Extender with hexagon 9 mm taper can be supplied with:

Key operated chuck , female thr. 3/8"-24UNF,
capacity 1,5-10mm, with standard key DIN S14,
Porta's model number AH10F38

Model PMK

Keyless chuck, female thr. 3/8"-24UNF,
capacity 1,5-10mm,
Porta's model number LD10F38R

Model PML



Model No.	Mount	Drilling capacity mm	Key	Porta chuck	Packaging	Weight g
PMK	3/8"-24UNF	1,5 - 10	DIN S14	AH10F38R	Plastic box	400
PMI	3/8"-24UNF	1,5 - 10	-	LD10F38R	Plastic box	390